

# 70P COMPRESSOR

SINGLE-STAGE PISTON SERIES 70 CFM



## Compressor Specifications

Output Capacity:	70 cfm @ 100 psi
Hydraulic Req:	18 gpm @ 2650 psi
Cylinders:	4-cylinder, single-stage
Max Pressure:	150 psi
Weight:	300 lbs.

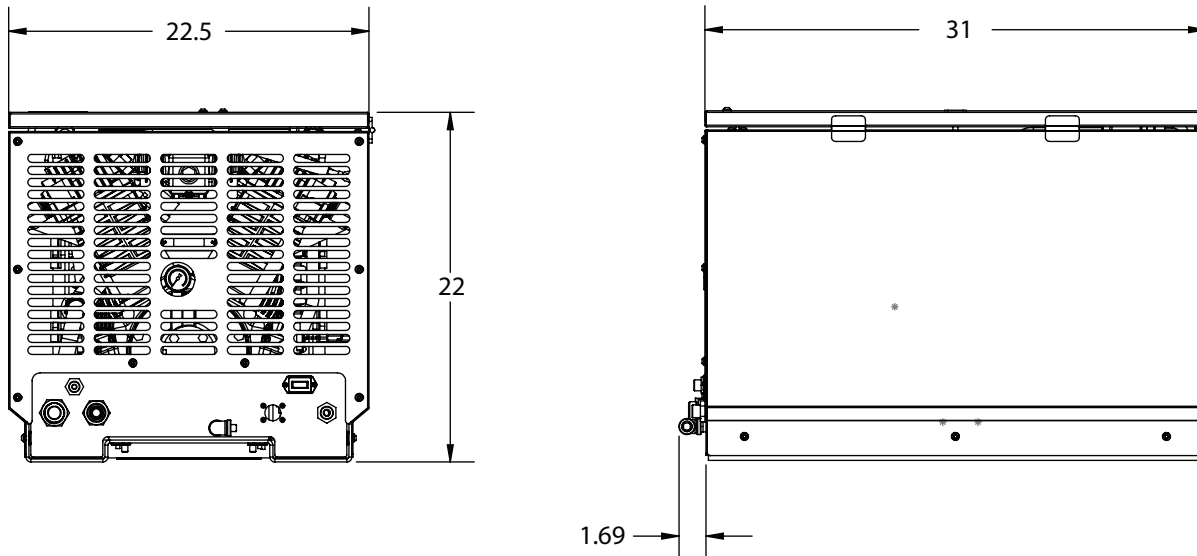
**Rugged, Reliable, Simple and Inexpensive to maintain. The cost effective alternative to rotary screw compressors.** These units include the American Eagle single-stage reciprocating pump, which is directly attached to the hydraulic motor (no pulleys and belts), a hydraulic oil cooler, 12v. fan and valve block.

*Optional hydraulic oil reservoir is available.*

## Durability Standard

American Eagle single-stage compressors are manufactured for reliability and longevity.

- Direct-drive, no belts to break or adjust.
- Double powder coated cover with flip-up lid for easy access.
- Canister type air filters for high capacity and easy changing.
- Cast iron crankcase and cylinder heads for durability.
- High temperature precision ground 4-ring pistons for consistent performance.
- Stainless steel reed valves for long life and heat resistance.
- Heavy ductile iron balanced crankshaft with heavy-duty journal bushings and micro-honed connecting rods for smooth operation and long life.
- High-capacity hydraulic oil cooler and fan for cooler operation.
- Canister type air filters for high capacity and easy changing.
- Pressure lubricated for consistent oil flow and pressure.



\*Specifications may change without notification.

Your Contact:

**AMERICAN EAGLE**  
**ACCESSORIES GROUP**

Telephone: 800-392-3015  
E-mail: [sales@americaneagleacc.com](mailto:sales@americaneagleacc.com)  
[www.americaneagleacc.com](http://www.americaneagleacc.com)

Designed & Manufactured in the U.S.A.  
Copyright © 2016 American Eagle Accessories Group