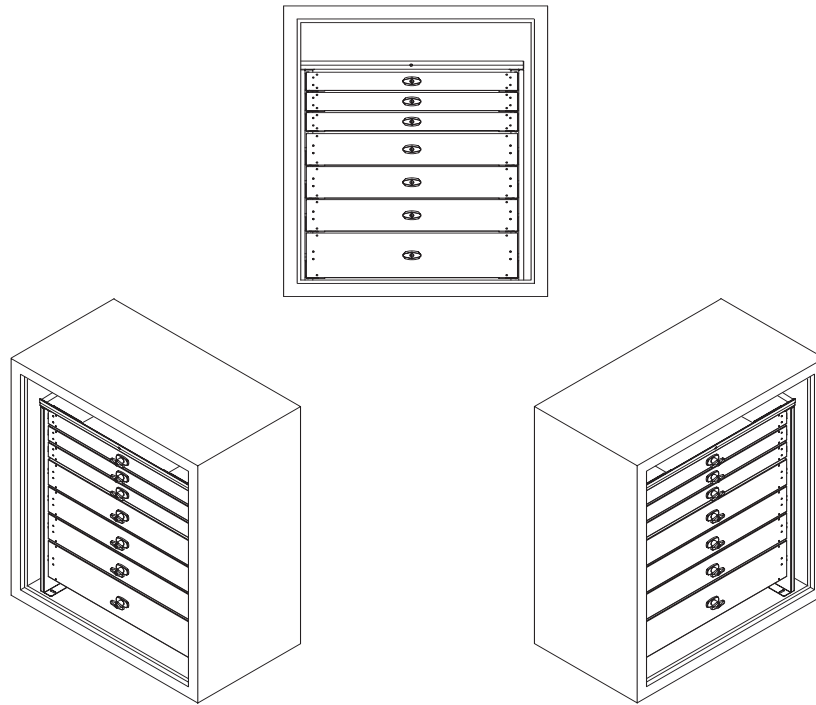


Installation Guide

American Eagle Mobile Drawer Sets



American Eagle
190 State Street
PO Box 169
Garner, IA 50438
800-392-3015
Fax: 641-923-4889
www.americaneagleacc.com

Installation Overview



Note: Drawers are removable. This may aid in the installation process.

Step 1:

Compartment side and outer drawer side face should be flush. This will allow the drawers to open unobstructed by the compartment.

Step 2:

Push the drawer set tight to the back of the compartment. This allows for a 5/6-18 UNC cap screw to be used to tie the drawer shelf to the back wall.

Step 3:

Extend the adjustable drawer shelf end tight to the front wall of the compartment. This allows for a 5/16-18 UNC cap screw to be used to tie the drawer shelf to the side wall. Repeat for other shelf end if application allows.

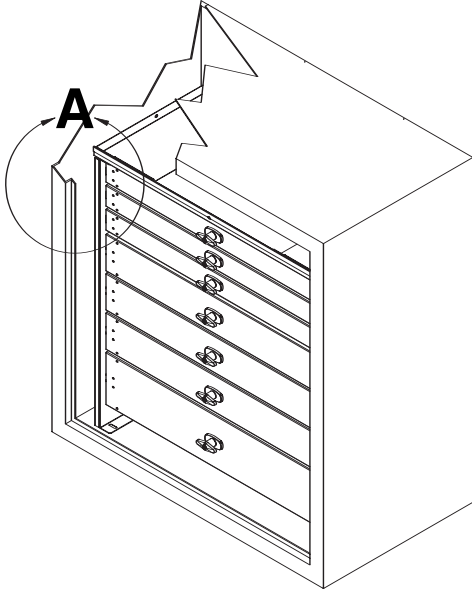
Step 4:

Drill four(4) .344 holes for mounting of the drawer set to the floor of the compartment. Use 5/16-18 UNC cap screws to fasten drawer set to floor.

Installation Details

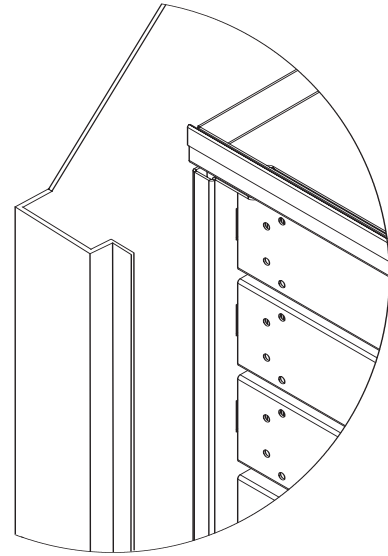
Step 1:

Compartment side and outer drawer side face should be flush. This will allow the drawers to open unobstructed by the compartment.



Drawer shown in compartment.

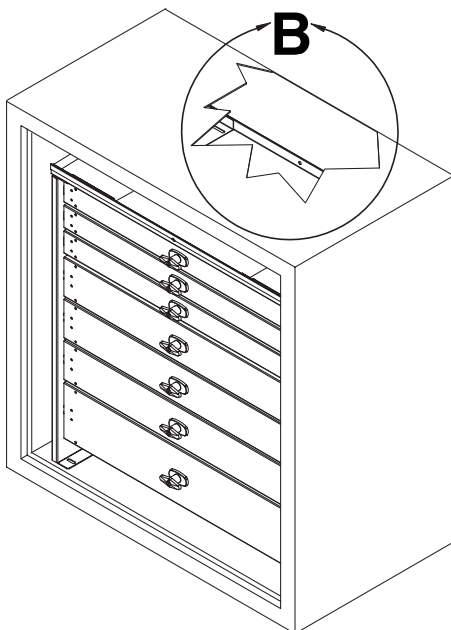
Detail A



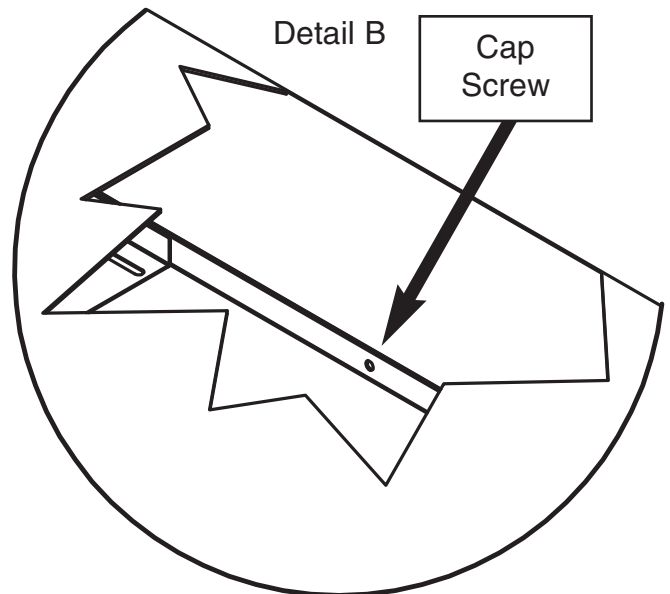
Compartment side and outer drawer side face are flush

Step 2:

Push the drawer set tight to the back of the compartment. This allows for a 5/6-18 UNC cap screw to be used to tie the drawer shelf to the back wall.



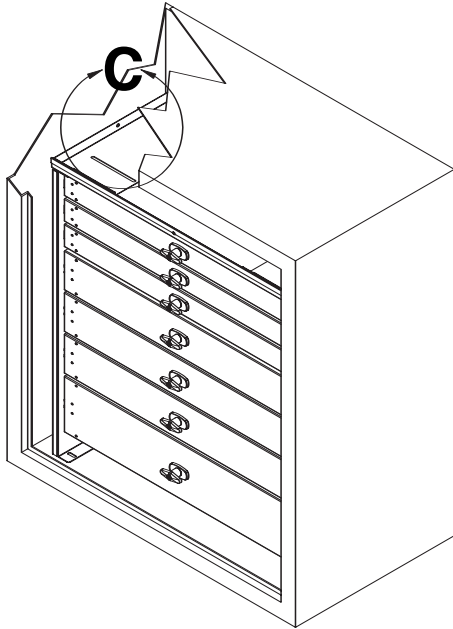
Detail B



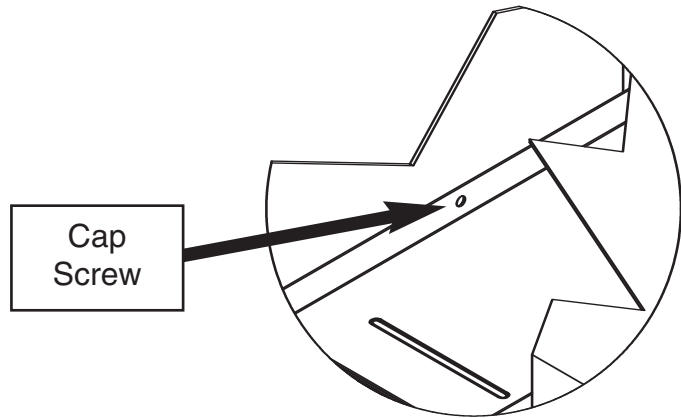
The drawer set is tight to the back of the compartment.

Step 3:

Extend the adjustable drawer shelf end tight to the front wall of the compartment. This allows for a 5/16-18 UNC cap screw to be used to tie the drawer shelf to the side wall. Repeat for other shelf end if application allows.



Detail C

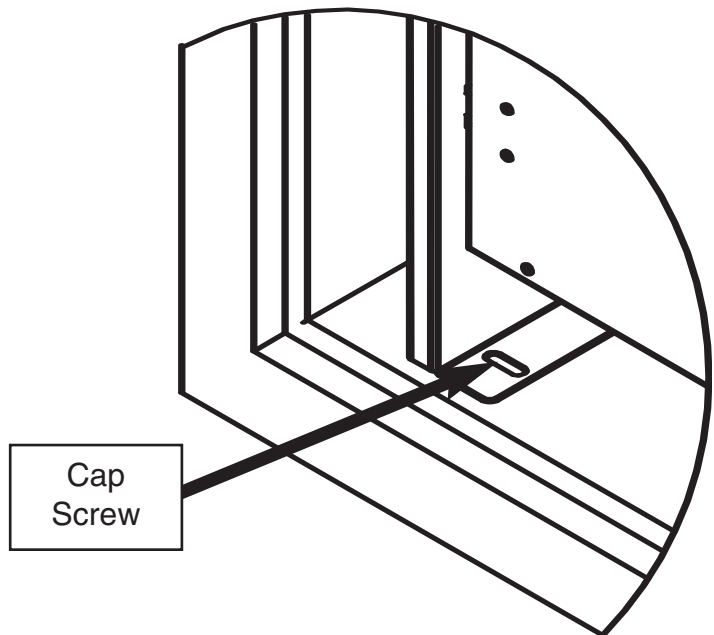
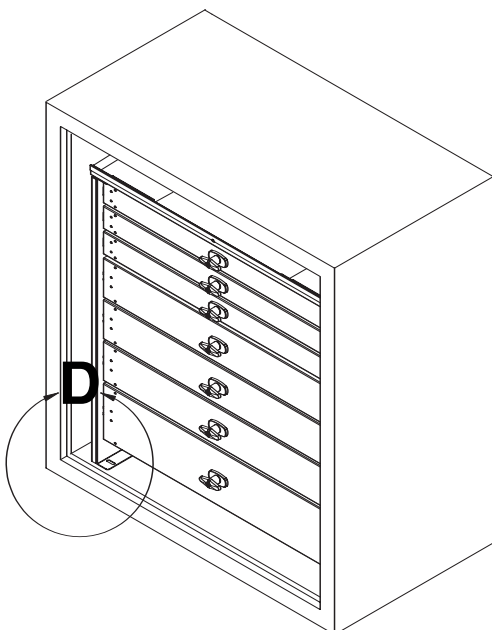


The drawer shelf is tight to the front wall of the compartment.

Step 4:

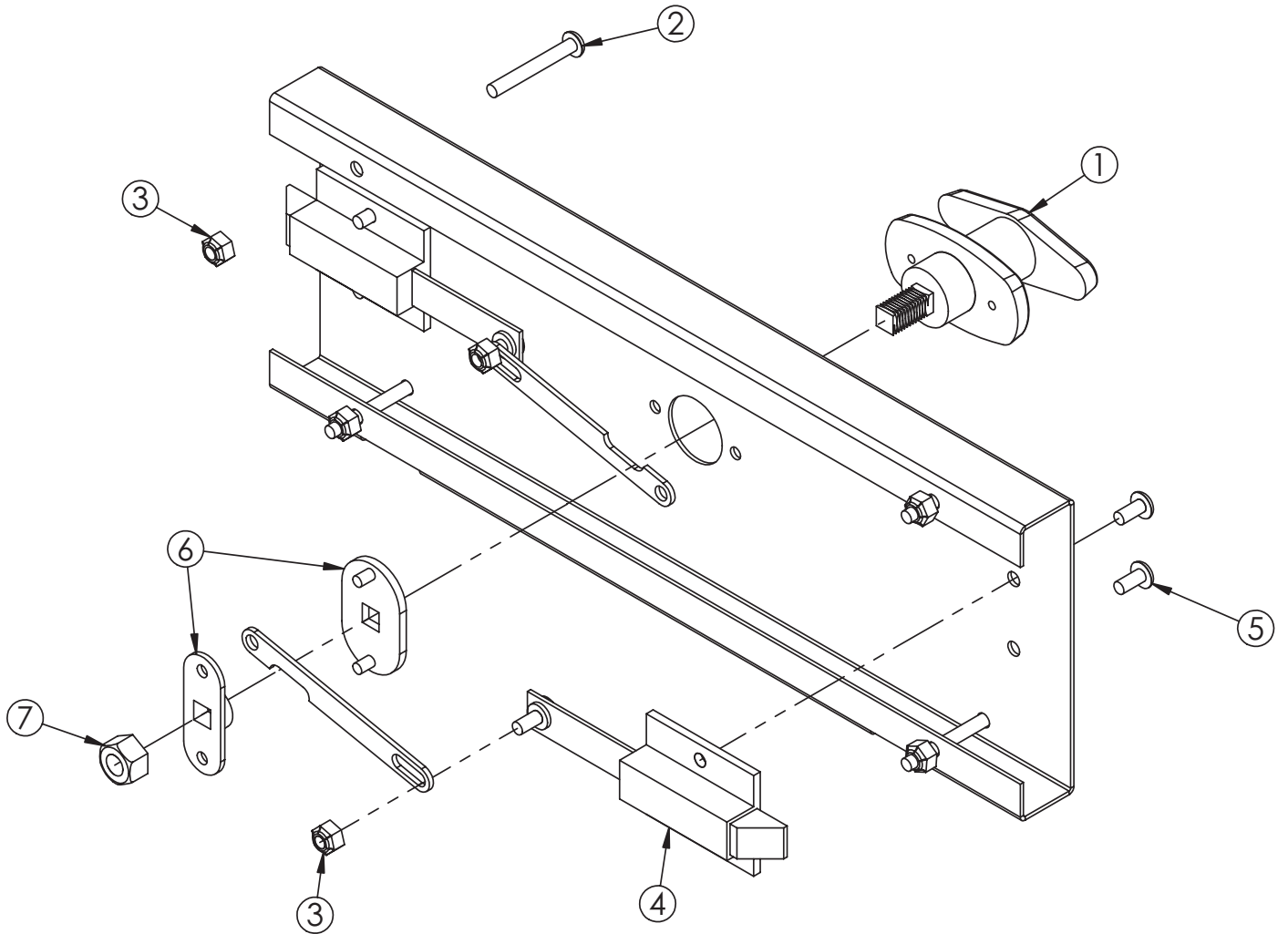
Drill four(4) .344 holes for mounting of the drawer set to the floor of the compartment. Use 5/16-18 UNC cap screws to

Detail D



Drill four holes into the bottom of the compartment.

Replacement Parts



ITEM	PART	DESCRIPTION	QTY.
1	19598	HANDLE (T) ROLOT DRAWER	1
2	21039	SCREW #10-24X1.50 BTNHD SS	4
3	C4956	NUT #10-24 HH NYLOC SS	6
4	19599	LATCH SPRING ROLOT DRAWER	2
5	11754	RIVET SS .19X.062-.270 MGLP-U6-4	4
6	20985	CAM T-HANDLE LATCH	1
7	21262	NUT 0.38-24 HHGR5 NYLOC	1

Note: The parts listed on this page are common to all American Eagle Mobile Drawer Sets. For replacement parts needed for your specific drawer set, please contact Customer Service at

800-321-3741